

# Aura Cocoon® - One Pax

## Optimal Performance

1.99ATA

### **Automated Air-Break™ Technology -**

Adheres to the standards of Undersea Hyperbaric Medical Society (UHMS)

Adjustable Pressure Settings by 0.1,

Tailored Mode Settings

Dual All-In-One Touch Screen Panel

Silent Relief Valves <60 decibels

Water-Cool Air-Conditioner for rapid cooling as compared to Air-Cool

## Quality

Made of Carbon Steel - **3X Stronger than Aluminium Alloy to withstand constant pressure for a prolonged period of time**

Automated Pressure Release Feature

High Resistance Plexiglass Door

Explosion-Resistant Cocoon®

High Efficacy - Up To 1.99ata

## Specifications

Oxygen Flow: 10L/min

Oxygen Concentration: Up To 96%



For Private and Commercial Use

## Gold Class Standard - From Singapore

Designed and Assembled in Singapore. Adheres to strict safety standards in Singapore. Burst tested beyond its recommended pressure to ensure the highest safety.

AeroPure System with Dehumidifier and Automatic Condensation Drainage to prevent the buildup of mould and bacteria

High-Efficiency Particulate Air (HEPA) Filters with laboratory grade hoses to eliminate odour and reduce dust build-up.

## Comfort

Luxurious Leather Interior - Customisable Shades  
 Infused with Natural Aromatherapy Scents  
 Integrated Bluetooth Audio and Movie Capabilities  
 Leather Sofa Recliner

## Safety

Emergency Safety Stop Buttons  
 Emergency Relief Valves  
 Dual Communication Device  
 Safety Passcode To Administer Pressure > 1.5ata

## End-To-End Service

HBOT Protocols Advisory by Dr Josh, Certified by International Hyperbarics Association and SHUMEC  
 Designed and Assembled In Singapore  
 Regular Service and Maintenance inclusive of HEPA Air Filters replacement and Safety Tests

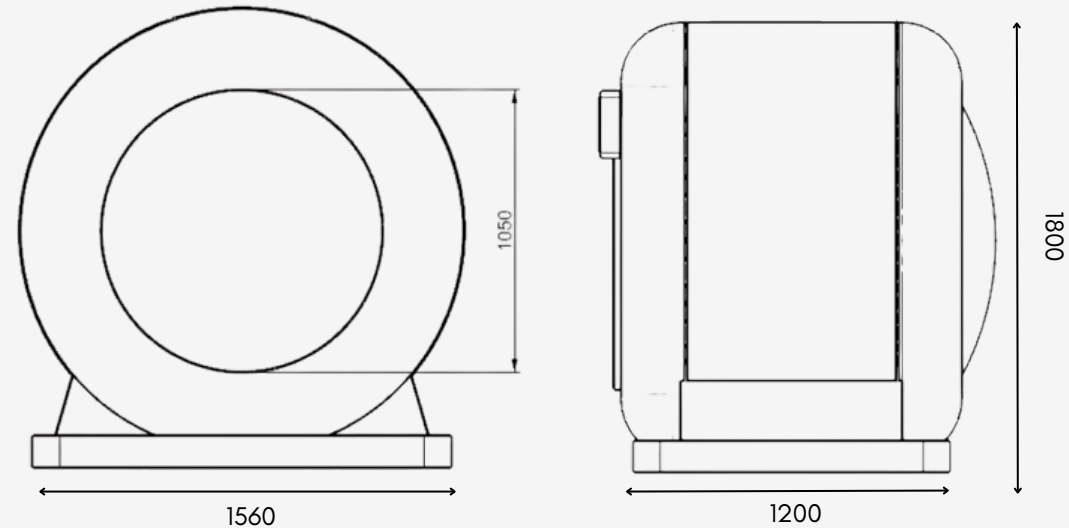
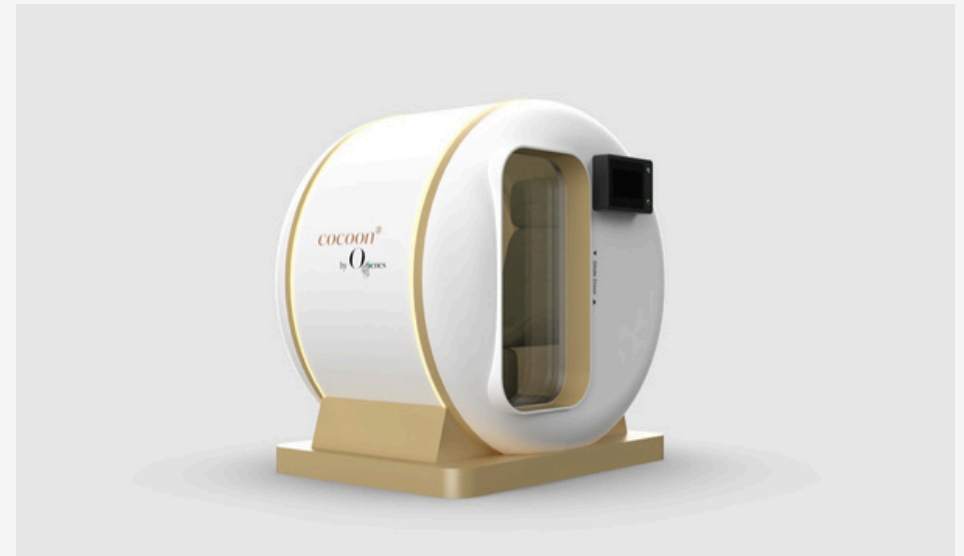
## Warranty

2 Years Warranty\*

## Specifications

Dimensions:  
 1560mm (L), 1200mm (W), 1800mm (H)  
 Assemble On-Site  
 Voltage: 220 - 240V, 50Hz  
 Maximum Power: 4.5 KVA  
 Weight: 600kg

## Where Wellness Meets Luxury



# 1 Pax Aura Cocoon® 1.99ata Specifications

Main Cocoon® External Dimension	1560mm x 1200mm x 1800mm
Maximum Atmospheric Pressure	1.99 ATA
Total Power Output	10KW MAX
Oxygen Supply Mechanism	Oxygen Delivery Headset/Mask/Nasal Cannula
Oxygen Supply Concentration	93%±3%
Power Voltage	AC220V-240V 50HZ
Apparatus Cabinet Dimension and Weight	TBC
Air Chiller Dimension and Weight	L470mm×W380mm×H590mm
Gross Weight (Main Cocoon®)	600KG Approx
Maximum Capacity	1 Person